


WHAT YOU CAN'T SEE WILL HURT YOU...
(have you checked your roof lately?)

- 
- ✓ **Prevent grease problems**
 - ✓ **Prevent roof & fan damage**
 - ✓ **Prevent environmental issues**
 - ✓ **Prevent fire hazard**

INTRODUCING...
THE NEW GREASE INTERCEPTOR SYSTEM BY

www.flamegard.com

 **Flame Gard**[®]
by Component Hardware
Engineered for safety, performance,
efficiency and code compliance

Eliminate the problem - Eliminate the mess!

The Interceptor's unique design delivers:



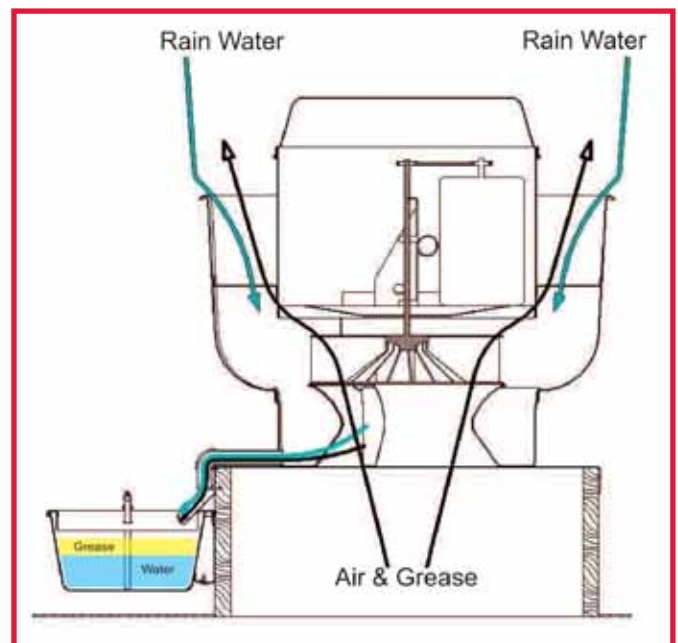
Model EFI-UB shown installed on fan

- ✓ Clean roof
- ✓ Clean fan
- ✓ Clean environment
- ✓ Total waste recovery
- ✓ No costly filter media
- ✓ No fire hazard
- ✓ Fast installation
- ✓ Meets fire code

Unfortunately, many restaurant operators don't think about the serious damage that grease from their kitchen hood exhaust fan can do until it's too late. While NFPA-96 requires that all restaurants have a functioning grease trap for their exhaust fans, poorly designed grease traps can overflow. **The resulting grease on the roof can cause catastrophic damage and presents a potential fire hazard.** Clean up and repair of the roof can be very expensive, and if a fire occurs, insurance may not cover it.

The **caustic chemicals** required to clean restaurant exhaust systems are **damaging to the environment** if the waste water is not recovered. The contaminated water is often pushed into the storm drain. Besides introducing these harsh chemicals into the ground water system, the congealed grease can cause clogging issues.

Flame Gard's **Grease Interceptor** captures grease from even the most heavily used fans. The innovative design allows the grease to be separated from rain water and held until the next routine hood cleaning. **It requires no power, no filter media and no moving parts.**



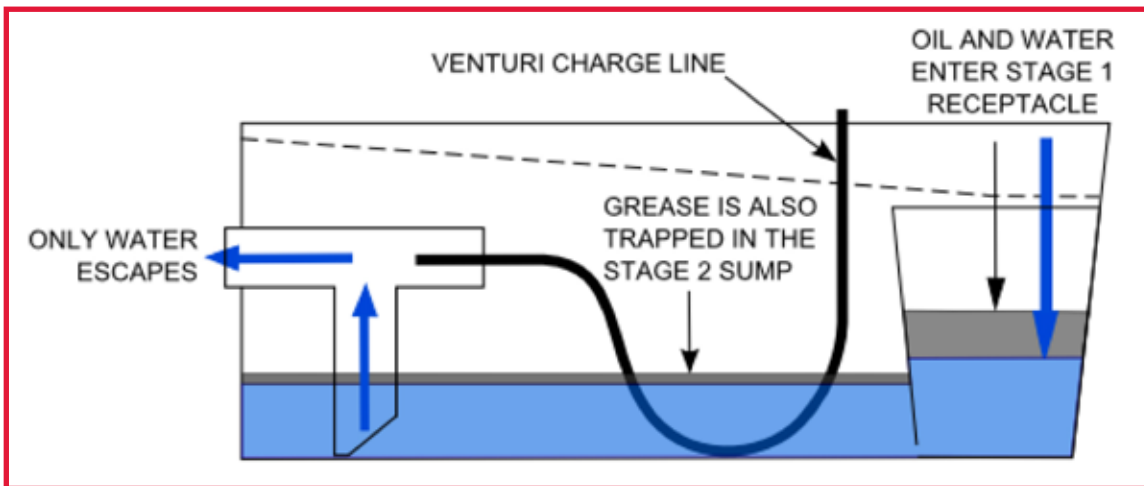
The Interceptor separates the grease from the water. The liquid grease remains in the Interceptor and clean water flows freely out of the unit.

WASTE RECOVERY - HOW IT WORKS

The Interceptor's unique design works on a simple vacuum principle to effectively recover the waste water from cleaning the fan. The hood cleaner pressurizes the Interceptor with the steam cleaning wand, which creates a vacuum. As the fan is being cleaned, waste water and grease collect in the Interceptor and are siphoned through a regular garden hose attached to the drain connection into collection containers for removal. **All of the waste water and grease are captured**, even when the fan is tilted.

The Interceptor works with most types of exhaust fans. It has no moving parts and no filters to replace so it is virtually **maintenance free**. One technician can easily install it using just a few screws. It attaches to the fan so there are no penetrations through the roof. The Interceptor is constructed of high quality corrosion-proof stainless steel to withstand the harshest weather and carries a 3-year parts warranty.

From the time it is installed, the Interceptor works continuously to keep grease off the roof. The Interceptor is **available from your regular hood cleaning contractor**. Contact them today to get more information on how the Flame Gard Grease Interceptor can solve your grease problems!



Help protect the environment

The Interceptor enables your hood cleaner to capture waste water and toxic chemicals used in the cleaning process, and dispose of them properly.

THREE-YEAR PARTS WARRANTY

- ✓ Easy, one-man installation
- ✓ No roof penetrations
- ✓ Simplifies hood cleaning process
- ✓ 304SS construction
- ✓ No moving parts, no maintenance

PATENT PENDING



