

PROJECT NAME: _____

LOCATION: _____

SPECIFIER ITEM NO. _____ **QTY:** _____

ENCORE PART NO. _____

Encore[®] 8" OC Wall Mount Wok/Pot Filler
 Faucet with 18" Double Jointed Stainless
 Steel Swing Spout, Lever Handles and
 Shut-Off Valve

KL54-8118-SV1



1-1/2" (29mm) holes for backsplash are recommended
 to accommodate 1/2" supply nipples.
 1/2" NPT Female Inlets
 Operating Temperature: 40 - 180°F (5 - 83°C)
 Operating Pressure: 15 - 125psi

Approximate shipping weight - 5 lbs
 Warranty - 2 years parts

Solid heavy duty cast body is specification and commercial quality

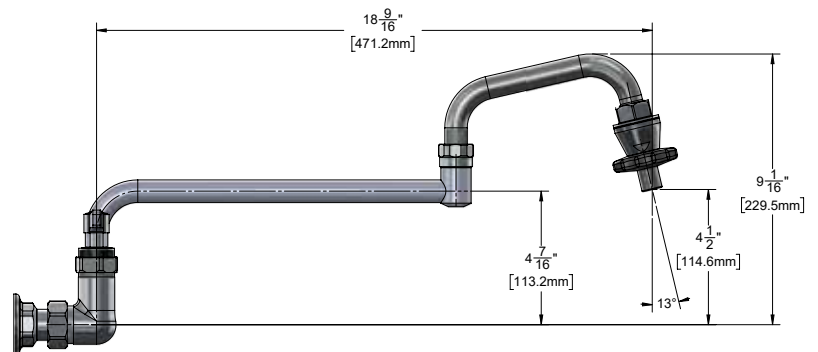
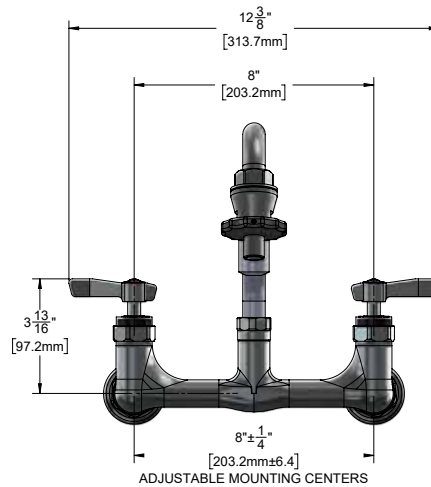
Commercial Quality Features

- Double jointed swing spout design
- Lever handles
- Built-in check valve to prevent cross-flow and back-flow
- Leak proof double O-ring spout design
- Stainless steel spout

SPECIFICATIONS:

Wall Mount Faucet to be Encore KL54-8118-SV1.

Faucet body to be constructed of polished chrome plated brass with lever handles. Valves to be 1/4-turn ceramic with integral check valve to prevent cross-flow and back-flow. Spout to be 18" stainless steel double O-ring swing extension and double O-ring swing spout. Color coded temperature indexes shall meet international standards. Shut-off valve to be 1/4-turn full open and close with ergonomic handle for easy use.



Dimensions shown in inches (mm) are for reference only
 and are subject to change.

