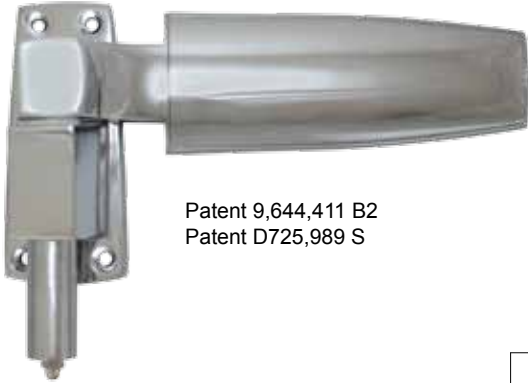
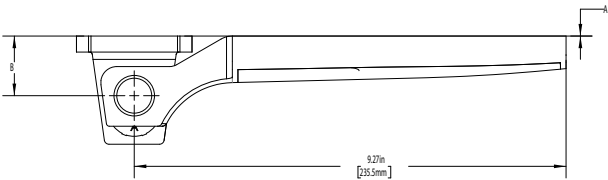
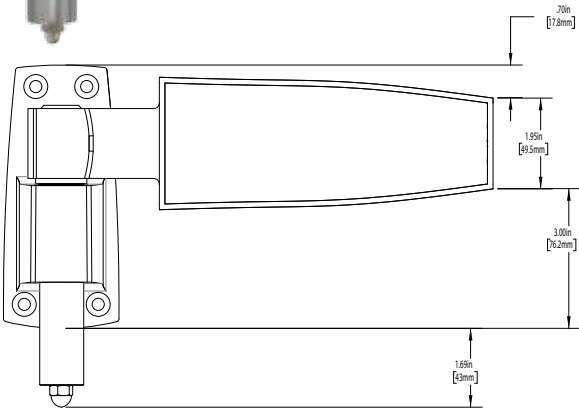


Component Hardware® Heavy Duty
 Adjustable Walk-In Cooler/Freezer Hinge
 with Built-In Spring Assist
W59-xxxx-xxxx Spring Series



Patent 9,644,411 B2
 Patent D725,989 S



**Underside of hinge
 showing adjustability feature**

Dimensions shown in inches (mm) are for reference only
 and are subject to change.

Approximate shipping weight - 3 lbs

Reversible, heavy duty hinge for walk-in cooler/freezer applications

Flexible Design

- Spring assist feature provides additional closing force for use on heavier doors
- Easily converted from left to right hand swing without tools
- Lift-off capability - doors can be removed quickly without tools or hinge disassembly
- Unique internal adjusting bracket facilitates quick and easy in-place adjustment for door sag
- Available in Polished Chrome or Satin Chrome finish with matching or black covers
- Removable hinge cover conceals mounting holes for clean appearance
- Hinge covers may be personalized with custom colors, logos, etc. for a distinctive look
- Universal mounting holes allows replacement with all competitors' models without redrilling
- Styling coordinated with Component Hardware W30 Series door pulls

Unique Cam Action

- Self-lubricating Nylon and Delrin cam rises to reduce door sweep gasket wear
- Provides constant overclose pressure against door gasket to ensure a positive seal
- Built-in hold open feature allows door to remain open at 140°
- Door automatically returns to closed position if opened less than 140°

| Model Number | | A | B |
|-----------------|--------------|----------------|----------------|
| Polished Chrome | Satin Chrome | | |
| W59-3000 | W59-4000 | Flush | 1.28" (32.5mm) |
| W59-3012 | W59-4012 | 0.12" (3.1mm) | 1.41" (35.8mm) |
| W59-3025 | W59-4025 | 0.25" (6.4mm) | 1.53" (38.9mm) |
| W59-3037 | W59-4037 | 0.38" (9.7mm) | 1.66" (42.2mm) |
| W59-3112 | W59-4112 | 1.12" (28.5mm) | 1.28" (32.5mm) |
| W59-3125 | W59-4125 | 1.25" (31.8mm) | 1.41" (35.8mm) |
| W59-3137 | W59-4137 | 1.38" (35.1mm) | 1.53" (38.9mm) |
| W59-3150 | W59-4150 | 1.5" (38.1mm) | 1.66" (42.2mm) |
| W59-3162 | W59-4162 | 1.62" (41.2mm) | 1.28" (32.5mm) |
| W59-3175 | W59-4175 | 1.75" (44.5mm) | 1.41" (35.8mm) |
| W59-3187 | W59-4187 | 1.87" (47.5mm) | 1.53" (38.9mm) |
| W59-3200 | W59-4200 | 2" (51mm) | 1.66" (42.2mm) |

Note: Standard hinge cover matches hinge. For black plastic cover, add "-BLK" to model number.