

Component Hardware® Extra Heavy Duty Stainless Steel Drawer Slide

S52-x02x

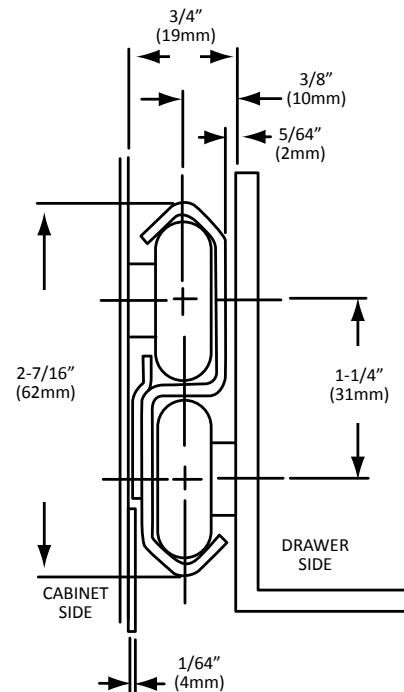
S52-0020	20" (508mm), S/S Bearings
S52-0022	22" (559mm), S/S Bearings
S52-0024	24" (610mm), S/S Bearings
S52-0026	26" (660mm), S/S Bearings
S52-2020	20" (508mm), Delrin Bearings
S52-2022	22" (559mm), Delrin Bearings
S52-2024	24" (610mm), Delrin Bearings
S52-2026	26" (660mm), Delrin Bearings



Stainless steel drawer slide

Heavy Duty Construction

- Full extension drawer slide
- 200 lb (100 kg) load capacity per pair
- Slides removable without tools
- Fully welded end plates with rubber bumper stops
- Retainer plates keep slides in position even when drawers are removed
- 14ga stainless steel construction
- Includes 8 roller bearings and screw studs



Dimensions shown in inches (mm) are for reference only and are subject to change.

Note: Load rating based on 20" (500mm) slide length.
 When ordering, measure from inside face to extreme rear of drawer.

Mounting: Side Mount

Space Required: 25/32" (20mm)

Height: 2-7/16" (62mm)

Drawer Extension: Full travel

Load Capacity: 200lbs (100kg) per pair with stainless steel bearings
 150lbs (68kg) per pair with delrin bearings

Material: 14ga (2mm) stainless steel

Action: Solid delrin or stainless steel ball bearing wheels
 with removable stainless steel screws

Shipping weight - 4 lbs/pair

Package qty: 6 pairs/box