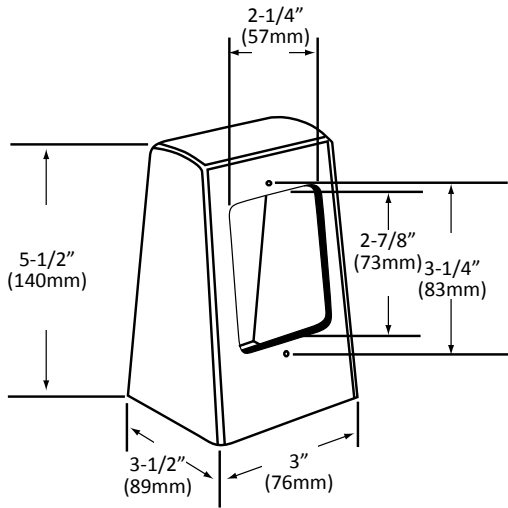
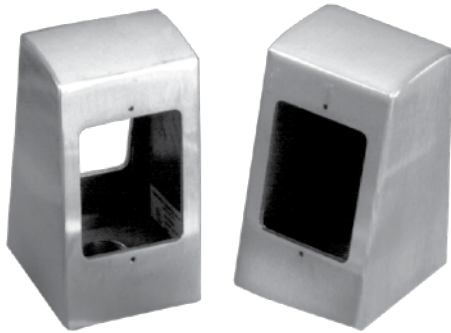


Component Hardware® Cast Aluminum  
 Electric Outlet Boxes

## R58-10x0 Series

R58-1010 Single Faced  
 R58-1020 Double Faced



Dimensions shown in inches (mm) are for reference only  
 and are subject to change.

Shipping weight - 1 lb

Cast aluminum electric outlet boxes

### Medium Duty Construction

- Brushed satin finish
- For 3/4" NPS or 1-1/2" NPS (adapter provided)
- Ground screw provided

### Specifications

Electric outlet boxes to be Component Hardware R58-10x0 Series in the following configuration:

\_\_\_ R58-1010 Single Faced

\_\_\_ R58-1020 Double Faced

Electric outlet box to be UL listed and constructed of cast aluminum with brushed finish and includes base plate, conduit adapter and ground screw.



**LISTED**  
 File# E96517