



Refrigeration Hardware
by Component Hardware

INSTALLATION INSTRUCTIONS FOR HYDRAULIC DOOR CLOSER

MODEL # R55-1010 FLUSH MOUNT

(STANDARD - KEIL # 2882-1010-3000)

MODEL # R55-1020 1-1/8" (28mm) OFFSET

(STANDARD - KEIL # 2882-1012-3000)

INSTALLATION TEMPLATE PROVIDED

STEP 1 - Locate center line of door and frame.

STEP 2 - Place door closer over centerline. Be sure that mounting tab is resting on top of door edge. Using the (4) holes on the exposed flanges, fasten the closer permanently in position with #8 screws.

STEP 3 - Place hook over frame centerline. Allow 3/16" (4.7mm) space from frame edge to bottom of hook bracket. Proceed to fasten using screws on elongated holes only.

STEP 4 - Slowly close door so that the top of the roller is in line with the hook lip as shown in Fig. A. The roller should clear the hook lip by no more than 1/32" (.8mm). Adjust by raising or lowering hook as required. Fasten (2) screws in slotted holes tightly to frame.

STEP 5 - Close door...observe operation. If correct, attach the (2) additional screws, in the round holes, tightly to frame.

STEP 6 - Snap cover over closer.

NOTE: The seven holes located at the bottom of the cylinder bracket are to be used if this unit is replacing an alternate manufacturer's model.

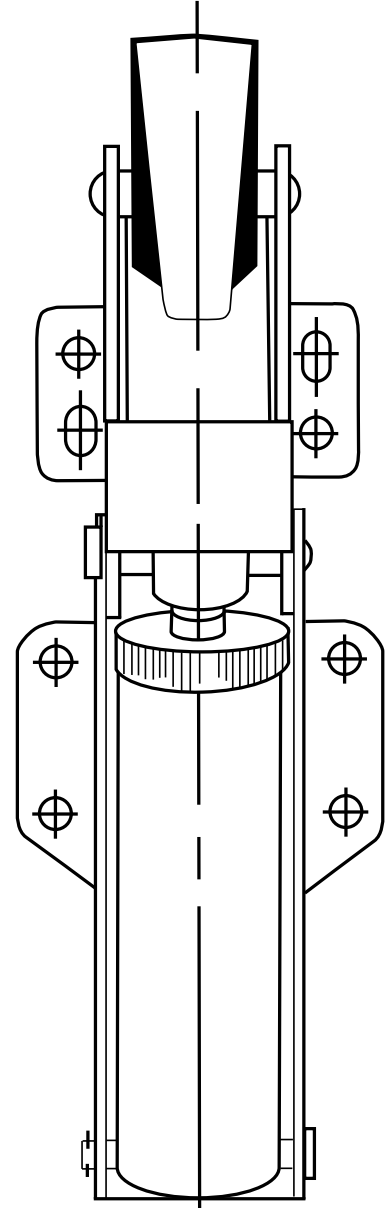


FIG. A

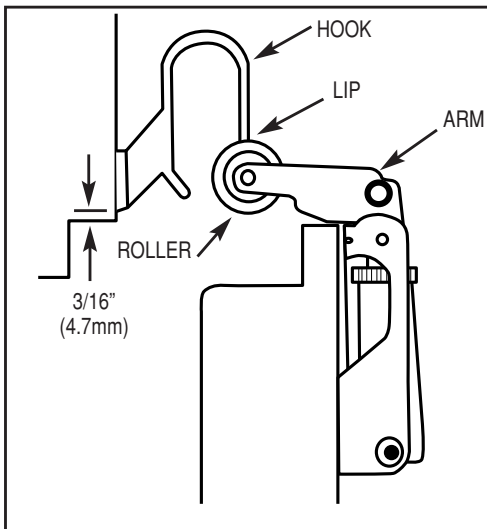
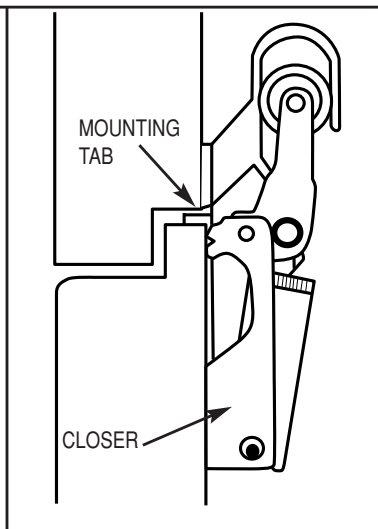


FIG. B



FLUSH MOUNT INSTALLATION SHOWN

INS-R55-10x0 Rev. 4/2018