

Component Hardware® 11-1/2" L Chrome Plated Die Cast Heavy Duty Magnetic Edgemount Latch With Black Heat-Resistant Plastic Handle

R25-2700-xxx

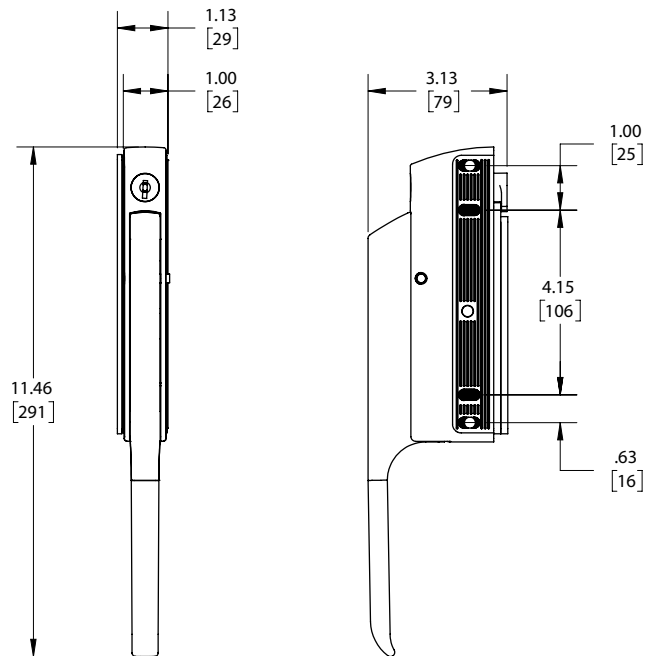
R25-2700-XNC	Offset Handle, No Lock
R25-2700-XC	Offset Handle, With Lock
R25-2750XNC	Offset Handle, No Lock with Ceramic Magnet



11-1/2" L Chrome Plated Die Cast Heavy Duty Magnetic Edgemount Latch With Black Heat-Resistant Plastic Handle

Specifically designed for refrigerated door applications

- Extra heavy-duty rugged die cast zinc construction
- Chrome plated finish
- Black heat-resistant thermoplastic handle
- Heavy-Duty Magnetic Action provides positive and effective seal and eliminates door bounce back
- Unique Breaker Action* eliminates powerful magnetic seal while allowing easy opening
- Serrated striker plate permits quick adjustment to compensate for door sag
- 11-1/2" L x 1-3/16" W x 2-3/4" H overall
- Reversible for right or left hand use
- Mounting holes are drilled and countersunk for #10 flat head screws
- Mounting hole locations are interchangeable with competitors' latches



Dimensions shown in inches (mm) are for reference only and are subject to change.

Shipping weight - 2.5 lbs