

PROJECT NAME: _____

LOCATION: _____

SPECIFIER ITEM NO. _____ **QTY:** _____

ENCORE PART NO. _____

Encore[®] Deck Mount Single Pantry Faucet
 with Swivel Cast Spout and Lever Handle

KL64-9x0x-TE1 Series

- KL64-9106-TE1 6" Spout, Ceramic Valves
- KL64-9006-TE1 6" Spout, Compression Valves
- KL64-9108-TE1 8" Spout, Ceramic Valves
- KL64-9008-TE1 8" Spout, Compression Valves



Solid heavy duty cast body is specification and commercial quality

Commercial Quality Features

- Swivel cast spout design
- ADA-compliant lever handle
- Built-in check valve to prevent cross-flow and back-flow
- Leak proof double O-ring spout design

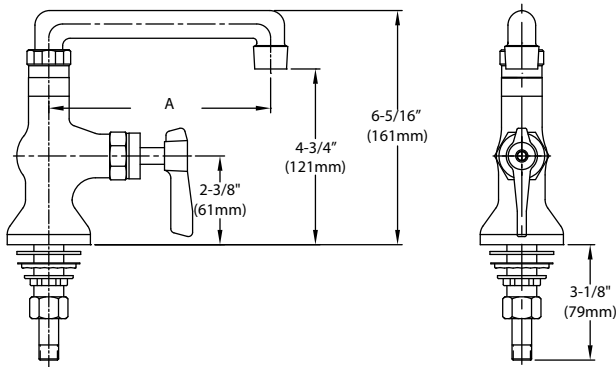
SPECIFICATIONS:

Deck Mount Single Pantry Faucet to be Encore KL64 Series
 in the following configuration:

- _____ KL64-9106-TE1 6" Spout, Ceramic Valves
- _____ KL64-9006-TE1 6" Spout, Compression Valves
- _____ KL64-9108-TE1 8" Spout, Ceramic Valves
- _____ KL64-9008-TE1 8" Spout, Compression Valves

Faucet body to be constructed of polished chrome plated brass with lever handle. Valve to be 1/4-turn with integral check valve to prevent cross-flow and back-flow. Spout to be swivel cast style with leak proof double O-ring seal design. 2.2gpm aerator @ 60psi standard with full flow stream bubbler screen spout tip.

Model No.	A
KL64-9106-TE1	6" (152mm)
KL64-9006-TE1	6" (152mm)
KL64-9108-TE1	8" (203mm)
KL64-9008-TE1	8" (203mm)



Dimensions shown in inches (mm) are for reference only
 and are subject to change.

- 1/2" NPSM Male Inlets
- 1/4" NPT Compression Fitting
- Operating Temperature: 40-180°F (5-83°C)
- Operating Pressure: 15-125psi
- Note: 1-1/8" (29mm) hole for deck is recommended to accommodate 1/2" supply nipple.

Approximate shipping weight - 5 lbs
 Warranty - 2 years parts

COMPLIES WITH:
 THE FEDERAL "REDUCTION OF LEAD
 IN DRINKING WATER ACT" -
 2011 - US SENATE BILL NO. S.3874
 NSF/ANSI 61/9, ANNEX G

