

Component Hardware® Heavy Duty 4" x 4-1/2"  
 Plate Caster With Gray Polyurethane Wheel

## C31-20xx

C31-2050	5" Non-Brake Caster
C31-2051	5" Brake Caster
C31-2060	6" Non-Brake Caster
C31-2061	6" Brake Caster
C31-2080	8" Non-Brake Caster
C31-2081	8" Brake Caster

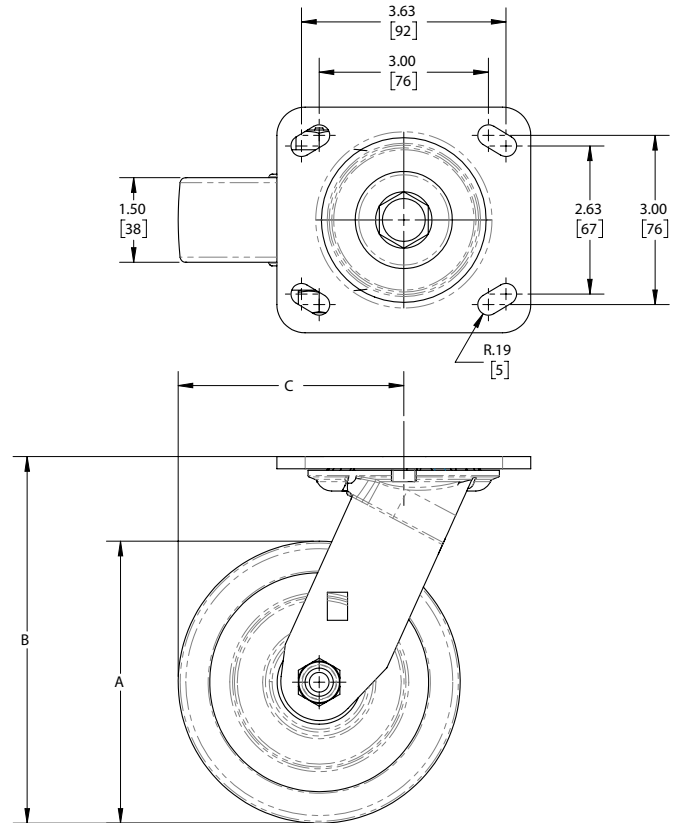


Heavy Duty 4" x 4-1/2" Plate Caster With Gray Polyurethane Wheel

**Heavy Duty Construction**

- Heavy duty zinc plated steel yoke construction
- 1-1/2" (38mm) tread width
- Furnished With Side Brake or without side brake
- Supplied with zerk grease fittings and grease seals
- Load capacity 500 lbs. (225kg) per wheel
- 4" x 4-1/2" (102mm x 114mm) mounting plate with slotted mounting holes spaced on 2-3/4" x 3-1/4" (64mm x 70mm) centers
- Mounting holes accept 1/4" diameter bolts/screws

C31 HEAVY DUTY SWIVEL PLATE CASTERS				
PART NUMBER	WHEEL DIAMETER (A)	LOAD HEIGHT (B)	SWIVEL RADIUS (C)	BRAKE
C31-2050	5"	6.5"	4"	WITH
C31-2051	5"	6.5"	4"	WITHOUT
C31-2060	6"	7.5"	4.56"	WITH
C31-2061	6"	7.5"	4.56"	WITHOUT
C31-2080	8"	9.5"	6.5"	WITH
C31-2081	8"	9.5"	6.5"	WITHOUT



Dimensions shown in inches (mm) are for reference only and are subject to change.

Shipping weight - 6lbs

