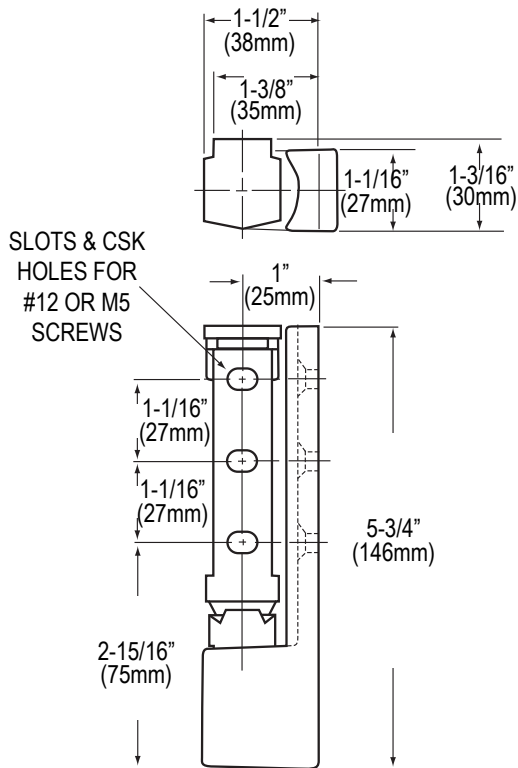


Component Hardware® 1-3/8" Offset 5-3/4" L
 Chrome Plated Die Cast Lift-Off Self-Closing
 Edgemount Hinge

R50-2850-SPO



Dimensions shown in inches (mm) are for reference only and are subject to change.

Approximate shipping weight - 0.5 lb

1-3/8" Offset 5-3/4" L Chrome Plated Die Cast Lift-Off Self-Closing Edgemount Hinge

Specifically designed for refrigerated door applications

- Ideal for reach-in refrigerators and doors equipped with magnetic gasketing
- High pressure die cast zamak construction
- Polished chrome plated finish
- 1-3/8" offset
- 5-3/4" L x 1-3/16" W x 1-1/2" H overall
- Lift-off design permits doors to be removed without tools
- Self-closing cam-rise action
- Adjustable...to compensate for gasket wear
- Overclose feature...provides constant door pressure and full gasket seal
- Hold open position, cam allows door to remain open at 90°
- Non-handed...for right and left hand operation
- Contemporary styling
- Mounting holes drilled and countersunk for #10 or M5 flat head screws

