

PROJECT NAME: _____

LOCATION: _____

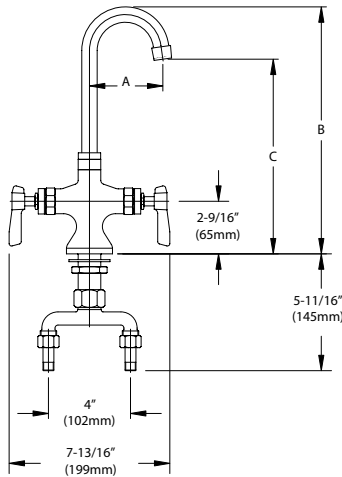
SPECIFIER ITEM NO. _____ **QTY:** _____

ENCORE PART NO. _____

Encore[®] Deck Mount Double Pantry Faucet with Rigid Gooseneck Spout and Lever Handles

KL51-9x0x-RE1 Series

- KL51-9100-RE1 3" Spout, Ceramic Valves
- KL51-9000-RE1 3" Spout, Compression Valves
- KL51-9102-RE1 6" Spout, Ceramic Valves
- KL51-9002-RE1 6" Spout, Compression Valves
- KL51-9101-RE1 8" Spout, Ceramic Valves
- KL51-9001-RE1 8" Spout, Compression Valves



Dimensions shown in inches (mm) are for reference only and are subject to change.

1/2" NPSM Male Inlets
Operating Temperature: 40 - 180°F (5 - 83°C)
Operating Pressure: 15 - 125psi
1-1/4" (32mm) hole for double pantry is recommended.

Approximate shipping weight - 7 lbs
Warranty - 2 years parts

Solid heavy duty cast body is specification and commercial quality

Commercial Quality Features

- Rigid gooseneck spout design
- ADA-compliant lever handles
- Built-in check valve to prevent cross-flow and back-flow
- Leak proof double O-ring spout design
- Stainless steel spout

SPECIFICATIONS:

Deck Mount Double Pantry Faucet to be Encore KL51 Series in the following configuration:

- _____ KL51-9100-RE1 3" Spout, Ceramic Valves
- _____ KL51-9000-RE1 3" Spout, Compression Valves
- _____ KL51-9102-RE1 6" Spout, Ceramic Valves
- _____ KL51-9002-RE1 6" Spout, Compression Valves
- _____ KL51-9101-RE1 8" Spout, Ceramic Valves
- _____ KL51-9001-RE1 8" Spout, Compression Valves

Faucet body to be constructed of polished chrome plated brass with lever handles. Color coded temperature indexes shall meet international standards. Valves to be 1/4-turn with integral check valve to prevent cross-flow and back-flow. Spout to be stainless steel rigid gooseneck. 2.2gpm aerator @ 60psi standard with full flow stream bubbler screen spout tip.

Model No.	A	B	C
KL51-9100-RE1	3-1/2" (89mm)	11-7/8" (300mm)	9-1/4" (235mm)
KL51-9000-RE1	3-1/2" (89mm)	11-7/8" (300mm)	9-1/4" (235mm)
KL51-9102-RE1	6" (152mm)	12-3/4" (320mm)	9" (230mm)
KL51-9002-RE1	6" (152mm)	12-3/4" (320mm)	9" (230mm)
KL51-9101-RE1	8-1/2" (216mm)	15-3/4" (400mm)	10" (255mm)
KL51-9001-RE1	8-1/2" (216mm)	15-3/4" (400mm)	10" (255mm)

COMPLIES WITH:
THE FEDERAL "REDUCTION OF LEAD IN DRINKING WATER ACT" -
2011 - US SENATE BILL NO. S.3874
NSF/ANSI 61/9, ANNEX G

