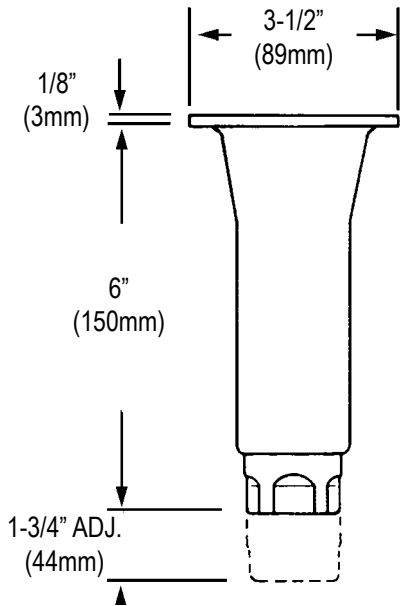


Component Hardware® Stainless Steel Leg
A77-5048-C



Dimensions shown in inches (mm) are for reference only and are subject to change.

Shipping weight - 2 lbs

Stainless steel equipment leg

Heavy Duty Construction

- 2" (51mm) O.D. stainless steel tubing
- Tapered body with large flared top
- 2000 lbs (900kg) static load rating
- #4 finish
- NSF listed as a heavy-duty equipment leg

Easy Mounting

- Removable mounting plate
- Mounting plate has (4) 5/16" (8mm) diameter holes on 2-5/8" (66mm) centers
- Hex-shaped foot inserts permit quick height adjustment
- 6" (152mm) height with 1-3/4" (44mm) adjustment