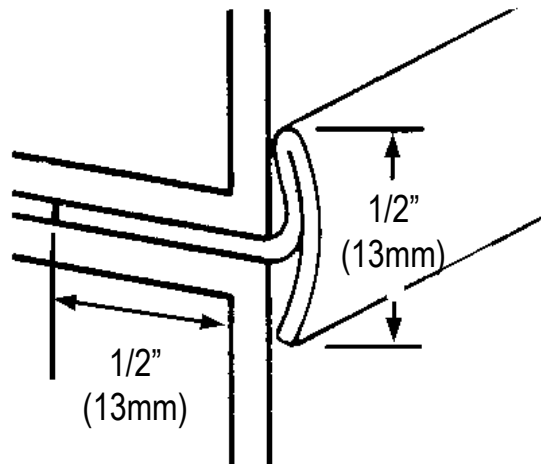




COMPONENT HARDWARE®

MODEL NO. J65-4110



12 FT. (3657mm) LENGTH