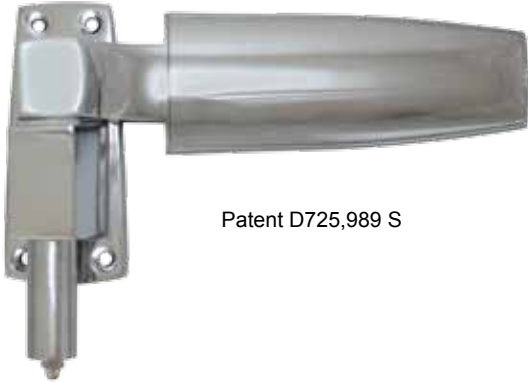
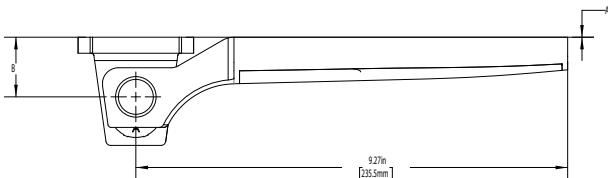
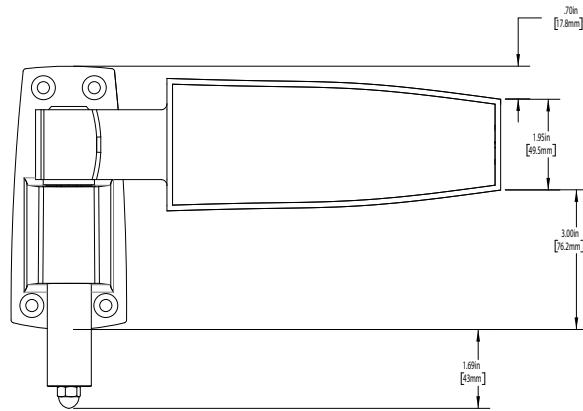


Component Hardware® Heavy Duty Walk-In
 Cooler/Freezer Hinge with Built-In Spring Assist
W58-xxxx-xxxx Spring Series



Patent D725,989 S



Dimensions shown in inches (mm) are for reference only and are subject to change.

Approximate shipping weight - 3 lbs

Reversible, heavy duty hinge for walk-in cooler/freezer applications

Flexible Design

- Spring assist feature provides additional closing force for use on heavier doors
- Easily converted from left to right hand swing without tools
- Lift-off capability - doors can be removed quickly without tools or hinge disassembly
- Available in Polished Chrome or Satin Chrome finish with matching or black covers
- Removable hinge cover conceals mounting holes for clean appearance
- Hinge covers may be personalized with custom colors, logos, etc. for a distinctive look
- Universal mounting holes allows replacement with all competitors' models without re-drilling
- Styling coordinated with Component Hardware W30 Series door pulls

Unique Cam Action

- Self-lubricating Nylon and Delrin cam rises to reduce door sweep gasket wear
- Provides constant overclose pressure against door gasket to ensure a positive seal
- Built-in hold open feature allows door to remain open at 140°
- Door automatically returns to closed position if opened less than 140°

Model Number		A	B
Polished Chrome	Satin Chrome		
W58-3000	W58-4000	Flush	1.28" (32.5mm)
W58-3012	W58-4012	0.12" (3.1mm)	1.41" (35.8mm)
W58-3025	W58-4025	0.25" (6.4mm)	1.53" (38.9mm)
W58-3037	W58-4037	0.38" (9.7mm)	1.66" (42.2mm)
W58-3112	W58-4112	1.12" (28.5mm)	1.28" (32.5mm)
W58-3125	W58-4125	1.25" (31.8mm)	1.41" (35.8mm)
W58-3137	W58-4137	1.38" (35.1mm)	1.53" (38.9mm)
W58-3150	W58-4150	1.5" (38.1mm)	1.66" (42.2mm)
W58-3162	W58-4162	1.62" (41.2mm)	1.28" (32.5mm)
W58-3175	W58-4175	1.75" (44.5mm)	1.41" (35.8mm)
W58-3187	W58-4187	1.87" (47.5mm)	1.53" (38.9mm)
W58-3200	W58-4200	2" (51mm)	1.66" (42.2mm)

Note: Standard hinge cover matches hinge. For black plastic cover, add "-CBLK" to model number.