

# INSTALLATION INSTRUCTIONS

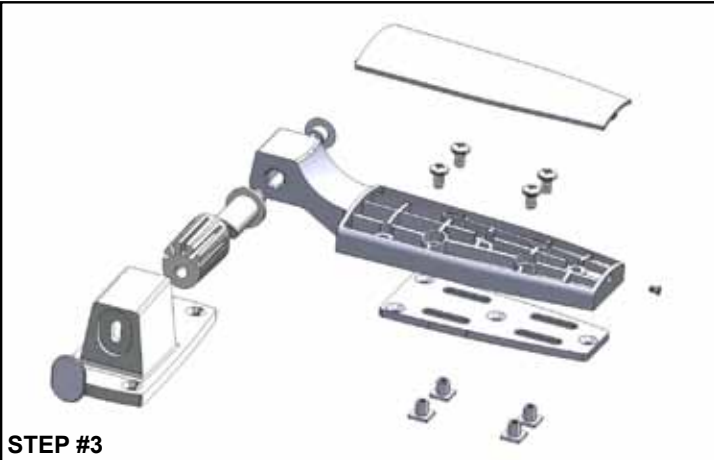
## W59 Series Adjustable Hinge Assembly

### STEP #1

Assemble top hinge base and flange, position hinge on door and trace the mounting holes.

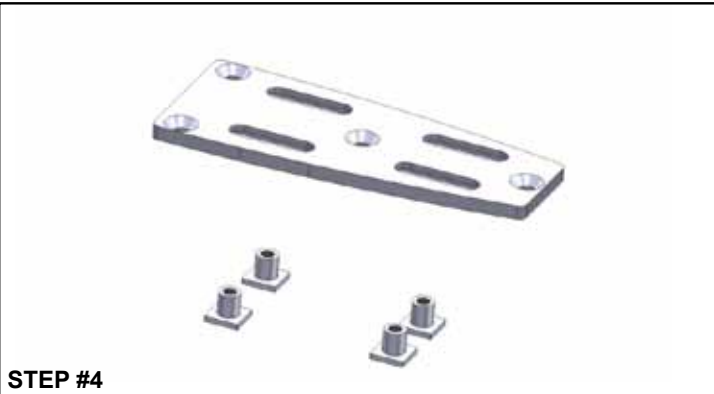
### STEP #2

Drill out all starter holes to accommodate 1/4" CSK flat head screws (not provided)



### STEP #3

Position the four (4) adjusting nuts (provided) in slots on the underside of the adjusting plate, place the plate over the mounting holes on the door and fasten using four (4) 1/4" CSK flat head screws (not provided) in the countersunk holes provided.



### STEP #4

Remove the #6-32 x 1/4" hinge cover screw from end of flange and remove the cover plate to access the mounting holes. Align the flange holes with the four adjusting nuts and fasten using the four (4) pan head adjusting screws provided.



### STEP #5

Fasten the base bracket to the door jamb using four (4) 1/4" CSK flat head screws (not provided) in the countersunk holes.

### STEP #6

Repeat process for bottom hinge and, then, insert flange cams into base brackets to assemble the door to the jamb and check door alignment.



### STEP #7

To adjust the hinge position to square the door –

- Remove the hinge cover screws from the ends of the top and bottom flanges
- Remove the flange cover plates to expose the adjusting screws
- Loosen, but do not remove, the four pan head adjusting screws on each hinge
- Adjust door to desired position
- Re-tighten the pan head adjusting screws
- Re-assemble the flange cover plate and tighten hinge cover screw

NOTE: Left hand hinge shown. To convert to right hand, in 1xxx and 2xxx Series, alter Cam and Cap location on the flange. In 3xxx and 4xxx Series (with Spring Bracket), only change cap location.

#### IN THE BOX:

- (1) Base Bracket
- (1) Flange with cover plate and hinge cover screw
- (1) Adjusting Plate
- (4) Adjusting Nuts
- (4) 1/4-20 x 7/16" Pan Head Adjusting Screws

#### REQUIRED (not supplied):

- (8) 1/4" CSK Flat Head Screws
- Level
- Marking Pen/Pencil
- Drill w/Bit for 1/4" Starter Holes
- Phillips Head Screw Driver or Drill Bit for 1/4" screws
- Phillips Head Screw Driver for #6 hinge cover screw



**Refrigeration Hardware**  
by Component Hardware