

Component Hardware® Medium Duty
 Stainless Steel 2-3/8" x 3-5/8" Plate Caster
 With 5" Gray Rubber Wheel

C21-205x-SS

C21-2050-SS Non-Brake Caster

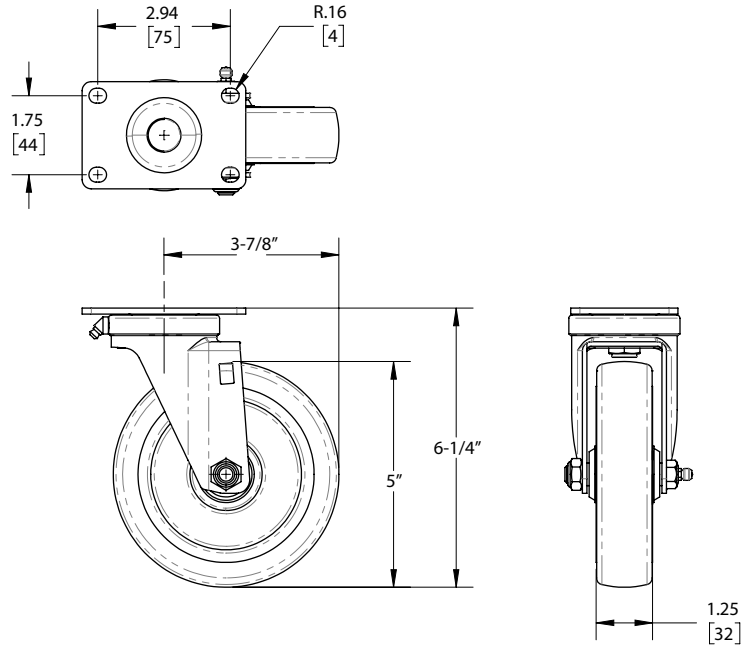
C21-2051-SS Brake Caster



Medium Duty Stainless Steel 2-3/8" x 3-5/8" Plate Caster With 5" Gray Rubber Wheel

Medium Duty Construction

- Stainless steel yoke construction
- 1-1/4" (32mm) tread width
- 5" (127mm) gray rubber wheel
- Load capacity 200 lbs. (90kg) per wheel
- 6-1/8" (155mm) load height
- 4" (102mm) swivel radius
- 2-3/8" x 3-5/8" (60mm x 90mm) mounting plate with mounting holes spaced on 1-3/4" x 3" (45mm x 75mm) centers
- Mounting holes accept 1/4" or 5/16" diameter bolts/screws
- Supplied with grease fittings
- Available with side brake



*Dimensions shown in inches (mm) are for reference only
 and are subject to change.*

Shipping weight - 3lbs