



1890 Swarthmore Avenue, PO Box 2020, Lakewood, NJ 08701
 Phone: 800-526-3694, 732-363-4700, Fax: 732-364-8110
 www.keilhardware.com • www.componenthardware.com

PROJECT NAME: _____

LOCATION: _____

SPECIFIER ITEM NO. _____ **QTY:** _____

KEIL PART NO. _____

Keil® Heavy Duty Walk-In
 Cooler/Freezer Hinge
W99-20xx-GE Series

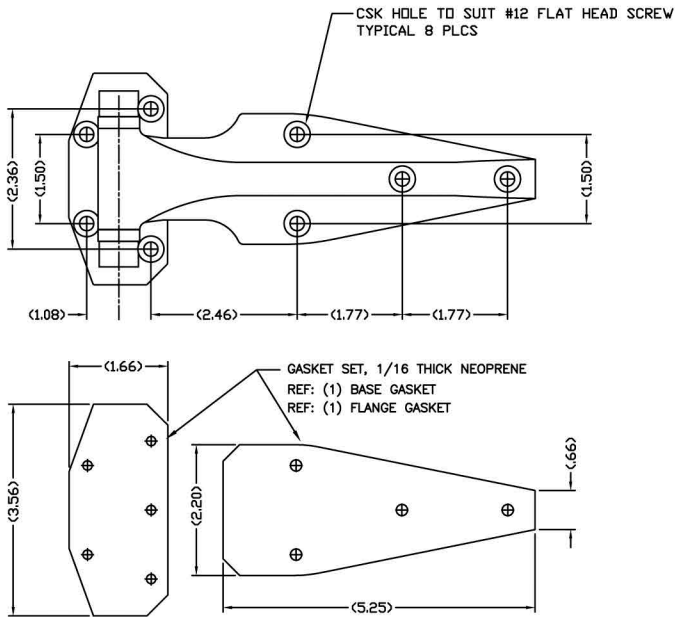
W99-2001-GE Flush mount
 W99-2063-GE 5/8" offset



Heavy duty hinge for outdoor structures

Commercial Quality Features

- Rugged lifetime construction
- Tamper-proof design
- Chrome plated brass for ultimate corrosion resistance
- Ideal for marine applications, outside cold rooms, commercial refrigerated truck bodies
- Gaskets included



Approximate shipping weight - 1.5 lbs

