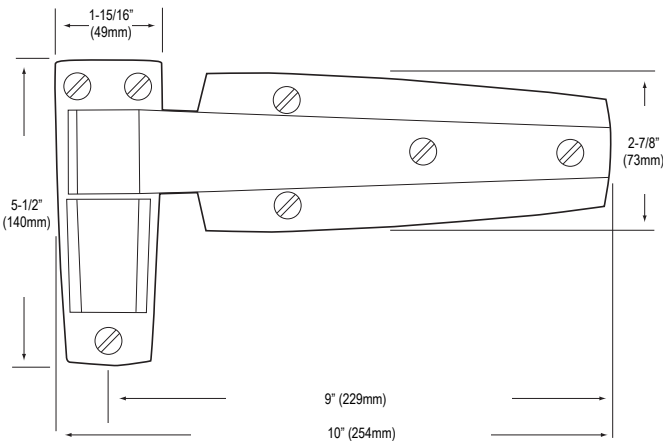


Component Hardware® 1-3/8" Offset Polished  
 Chrome Cam-Rise Lift-Off Walk-In Door Hinge  
**W60-1137**



*Dimensions shown in inches (mm) are for reference only and are subject to change.*

1-3/8" Offset Polished Chrome Cam-Rise Lift-Off Walk-In Door Hinge

**Flexible Design**

- Easily converted from left to right hand swing without tools
- Lift-off capability - doors can be removed quickly without tools or hinge disassembly
- Polished chrome finish
- Universal mounting holes allow replacement with all competitors' models without redrilling
- 1-3/8" offset

**Unique Cam Action**

- Self-lubricating Nylon and Delrin cam rises to reduce door sweep gasket wear
- Provides constant overclose pressure against door gasket to ensure a positive seal
- Built-in hold open feature allows door to remain open at 140°
- Door automatically returns to closed position if opened less than 140°

Approximate shipping weight - 3 lbs