

Installation Instructions for KL81-2010-TE1 Kitchen Faucet

Description

- Single handle 8" / single hole kitchen faucet
- All Brass construction
- Ceramic disc cartridge valve
- S.S. braided supply lines
- 1/2" IPS connections
- 2.0 GPM ASME complaint

Standards

- ASME A112.18.1 Compliant
- Listed IAPMO / CUPC
- ADA Accessibility Guidelines for Buildings and Facilities - 4.27.4 Controls and Mechanisms (lever handle only)
- NSF - 61-9 tested and approved



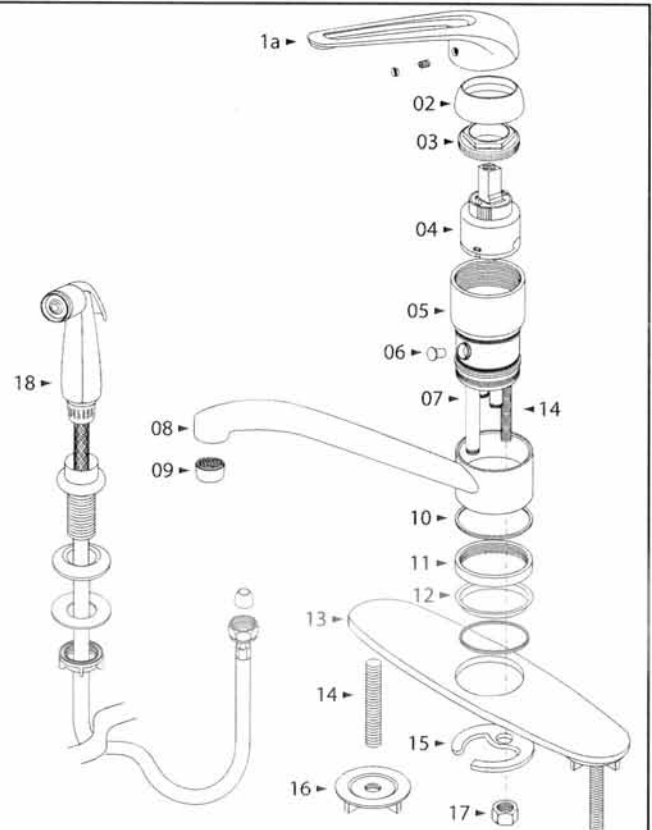
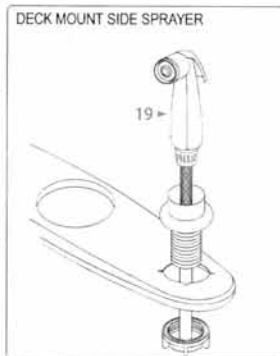
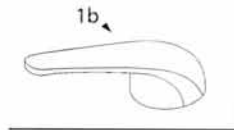
Colors / Finishes

- C - Chrome
- NK - Satin Nickel

Handle Option
Lever / Loop

BREAK DOWN Component Parts List

#	PART NAME	QTY
1a	LOOP HANDLE	1
1b	LEVER HANDLE	1
2	CAP	1
3	CARTRIDGE RETAINING NUT	1
4	CARTRIDGE	1
5	VALVE BODY	1
6	DIVERTER (FOR SIDE SPRAY ONLY)	1
7	WATER CONNECTION	1
8	SPOUT	1
9	AERATOR	1
10	BUSHING	2
11	BOTTOM FLANGE	1
12	POSITIONING RING & WASHER	1
13	DECK PLATE	1
14	MOUNTING SCREWS	1
15	MOUNTING FLANGE	1
16	MOUNTING NUTS	1
17	MOUNTING NUT (single hole)	1
18	SIDE SPRAY ASSEMBLY	1
19	DECK SPRAY FOR	



SPECIFIED MODEL - Handle Options

