

**Model No.
KL19-X025**

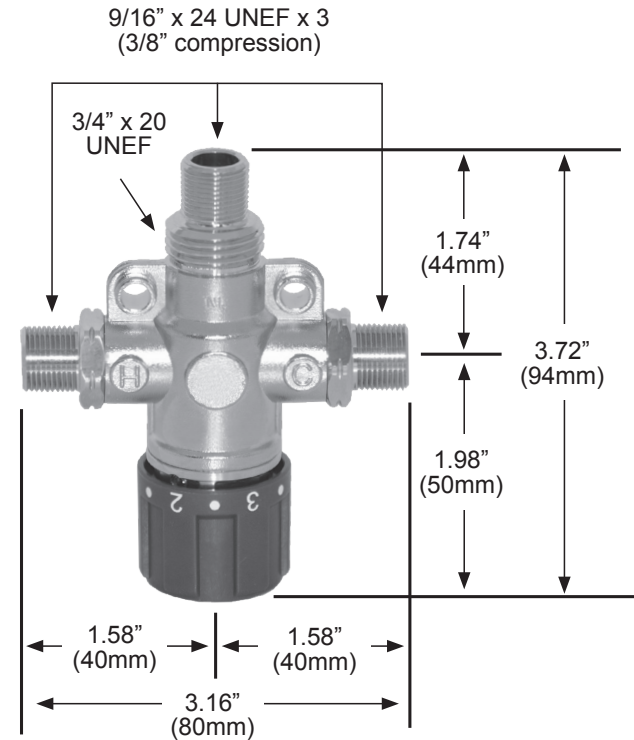
IMPORTANT:

When adjusting temperature, turn dial toward 'C' until it stops. Then slowly begin turning toward 'H' until desired temperature is reached.

NOTE: Dial will continue to turn past highest number.

SPECIFICATIONS

Material	Valve Body - Brass
Minimum Operating Pressure	10 psi
Maximum Operating Pressure	125 psi
Mix Water Outlet Temp. Limit	120°F (49°C)
Inlet Temperatures: Hot Inlet	120°F - 180°F (49°C - 82°C)
Cold Inlet	39°F - 85°F (4°C - 27°C)
Temperature Setting Range	68°F - 120°F (20°C - 49°C)
Factory Preset Temperature	38°C ± 2°C
Temperature Stability	± 2°C
Minimum Flow Rate	0.4GPM @ 10 psi
Connections (In & Out)	9/16" x 24 UNEF



*3/4" x 20 thread for optional mounting bracket (included)

WARNING! DON'T ADJUST PRESET TEMPERATURE SETTINGS BY TOOLS WITHOUT MANUFACTURER'S PERMISSION UNLESS NECESSARY.

CODE COMPLIANCE

ASSE 1070
CSA B125.3

