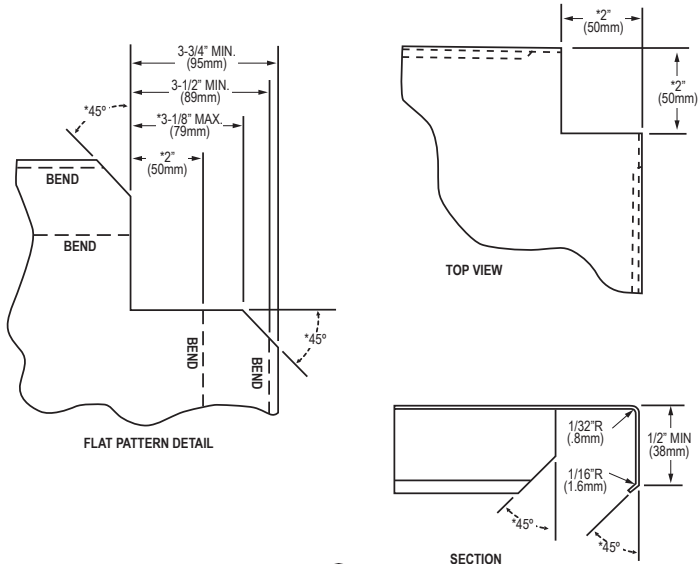


CORNER NOTCHING DETAILS FOR QUICK CORNER MODEL NO. A37-1010 & A37-2010

PATENTED

Quick corner requires 2" x 2" (50mm x 50mm) notched shelf corners. The illustrated information is provided to assure perfectly sized otched corners. The Quick Corner Bracket was designed to accept a shelf with a 1-1/2" (38mm) return but will also accept longer returns. Dimensions marked with an asterisk (*) are constant and must be maintained regardless of return length.

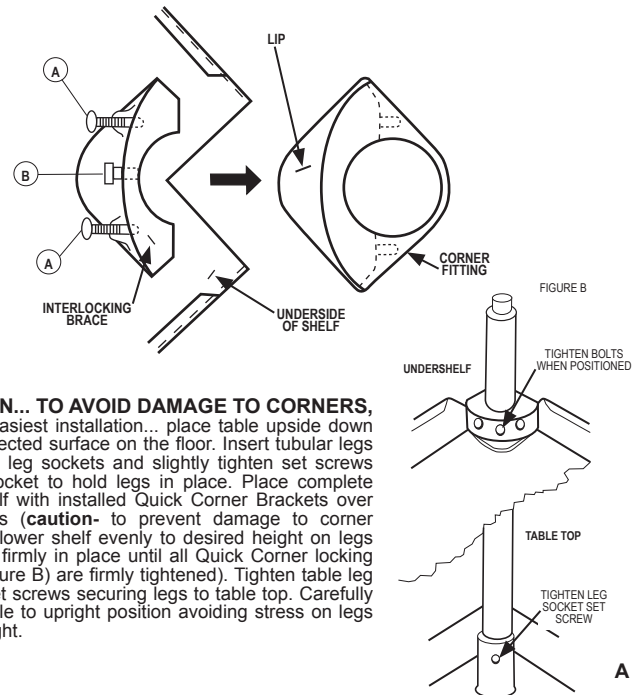


1890 Swarthmore Ave. PO Box 2020, Lakewood, NJ 08701 • Phone 800-526-3694 • Fax 732-364-8110
www.componenthardware.com

ASSEMBLY INSTRUCTIONS FOR QUICK CORNER MODEL NO. A37-1010 & A37-2010

PATENTED

Lay the shelf upside down (as illustrated) on a flat clean surface. Place the pre-notched corner over the lip of the corner fitting and butt it firmly against the fitting... the corners should mate perfectly. Proceed to position the interlocking brace against the corner fitting and secure tightly by threading the two hex bolts (A) into the mating threaded holes of the corner bracket. This process can be done quickly by using a nut driver. After both bolts are firmly secured repeat the assembly procedure on the remaining corners.



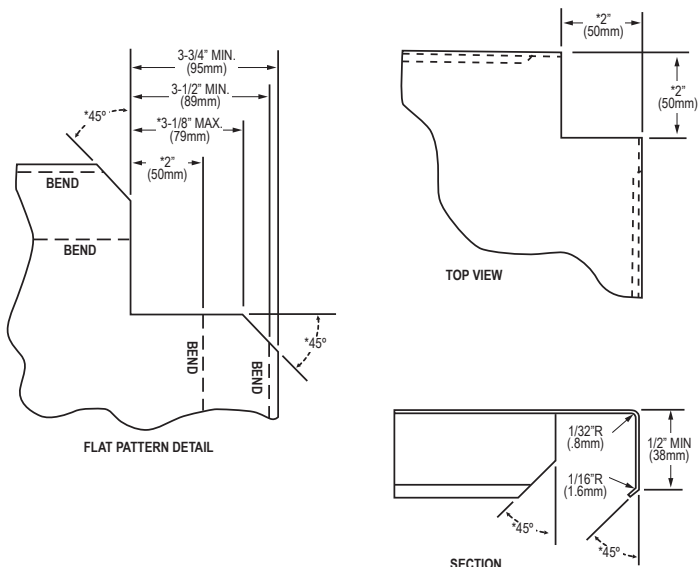
CAUTION... TO AVOID DAMAGE TO CORNERS, and for easiest installation... place table upside down on a protected surface on the floor. Insert tubular legs into table leg sockets and slightly tighten set screws on leg socket to hold legs in place. Place complete undershelf with installed Quick Corner Brackets over table legs (**caution-** to prevent damage to corner brackets lower shelf evenly to desired height on legs and hold firmly in place until all Quick Corner locking bolts (Figure B) are firmly tightened). Tighten table leg socket set screws securing legs to table top. Carefully invert table to upright position avoiding stress on legs until upright.

#A37-X004 Rev. 10/2013

CORNER NOTCHING DETAILS FOR QUICK CORNER MODEL NO. A37-1010 & A37-2010

PATENTED

Quick corner requires 2" x 2" (50mm x 50mm) notched shelf corners. The illustrated information is provided to assure perfectly sized otched corners. The Quick Corner Bracket was designed to accept a shelf with a 1-1/2" (38mm) return but will also accept longer returns. Dimensions marked with an asterisk (*) are constant and must be maintained regardless of return length.

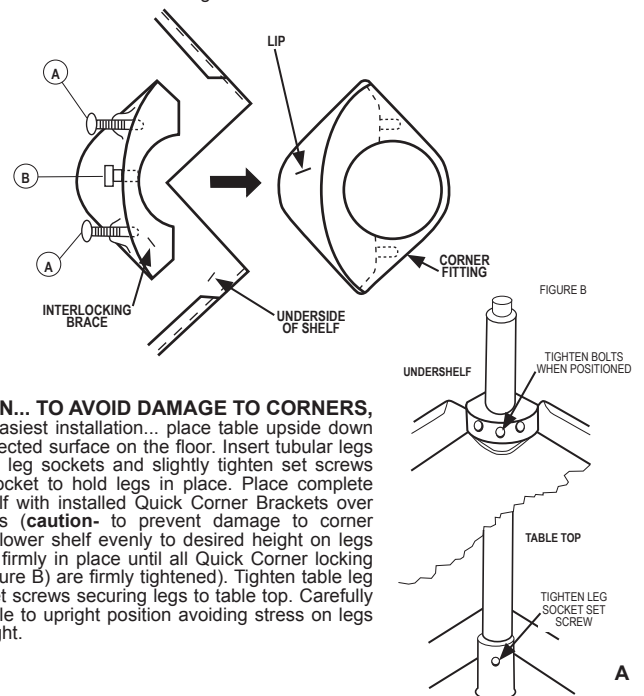


1890 Swarthmore Ave. PO Box 2020, Lakewood, NJ 08701 • Phone 800-526-3694 • Fax 732-364-8110
www.componenthardware.com

ASSEMBLY INSTRUCTIONS FOR QUICK CORNER MODEL NO. A37-1010 & A37-2010

PATENTED

Lay the shelf upside down (as illustrated) on a flat clean surface. Place the pre-notched corner over the lip of the corner fitting and butt it firmly against the fitting... the corners should mate perfectly. Proceed to position the interlocking brace against the corner fitting and secure tightly by threading the two hex bolts (A) into the mating threaded holes of the corner bracket. This process can be done quickly by using a nut driver. After both bolts are firmly secured repeat the assembly procedure on the remaining corners.



CAUTION... TO AVOID DAMAGE TO CORNERS, and for easiest installation... place table upside down on a protected surface on the floor. Insert tubular legs into table leg sockets and slightly tighten set screws on leg socket to hold legs in place. Place complete undershelf with installed Quick Corner Brackets over table legs (**caution-** to prevent damage to corner brackets lower shelf evenly to desired height on legs and hold firmly in place until all Quick Corner locking bolts (Figure B) are firmly tightened). Tighten table leg socket set screws securing legs to table top. Carefully invert table to upright position avoiding stress on legs until upright.

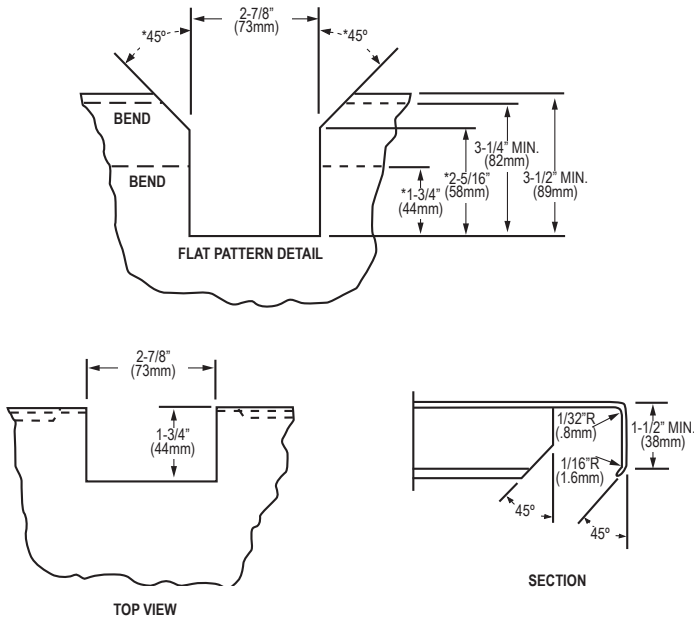
#A37-X004 Rev. 10/2013

**CORNER NOTCHING DETAILS
FOR QUICK CORNER
MODEL NO. A37-1020 & A37-2020**

PATENTED

The Center Support requires a 2-7/8" (73mm) x 1-3/4" (44mm) notched opening. The illustrated information is provided to assure perfectly sized notched openings to receive the Center Shelf Support.

The Center Support Bracket was designed to accept a shelf with a 1-1/2" (38mm) return but will also accept longer returns. Dimensions marked with an asterisk (*) are constant and must be maintained regardless of return length.

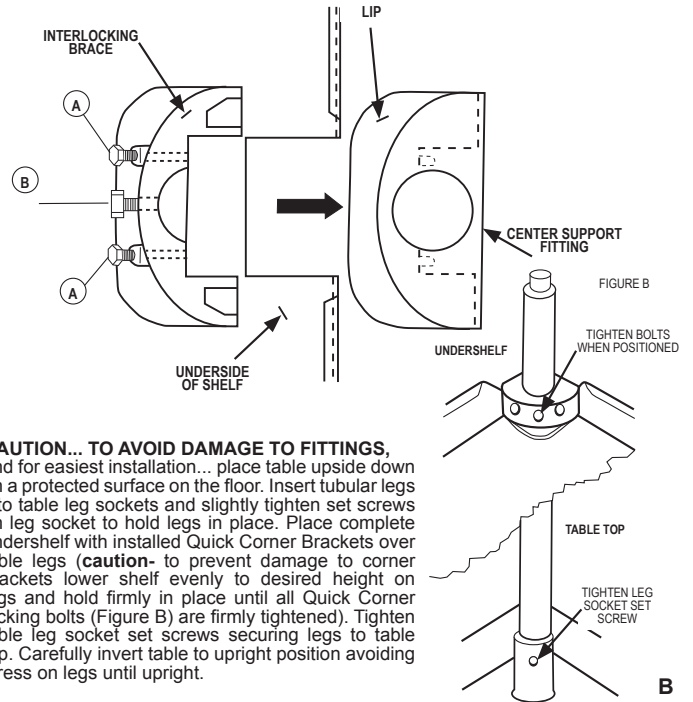


**ASSEMBLY INSTRUCTIONS
FOR QUICK CORNER
MODEL NO. A37-1020 & A37-2020**

PATENTED

Lay the shelf upside down (as illustrated) on a flat clean surface. Place the pre-notched opening over the lip of the Center Shelf Support Fitting and butt it firmly against the fitting... the shelf should mate perfectly.

Proceed to position the interlocking brace against the fitting and secure tightly by threading the two hex bolts (A) into the mating threaded holes of the Center Shelf Support Fitting. This process can be done quickly by using a nut driver. After both bolts are firmly secured repeat the assembly procedure on the opposite center shelf opening (if any).



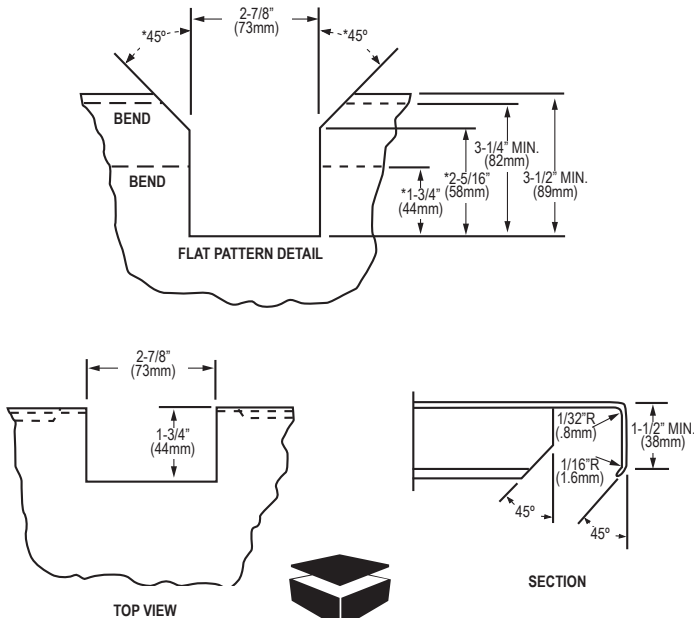
CAUTION... TO AVOID DAMAGE TO FITTINGS, and for easiest installation... place table upside down on a protected surface on the floor. Insert tubular legs into table leg sockets and slightly tighten set screws on leg socket to hold legs in place. Place complete undershelf with installed Quick Corner Brackets over table legs (**caution-** to prevent damage to corner brackets lower shelf evenly to desired height on legs and hold firmly in place until all Quick Corner locking bolts (Figure B) are firmly tightened). Tighten table leg socket set screws securing legs to table top. Carefully invert table to upright position avoiding stress on legs until upright.

**CORNER NOTCHING DETAILS
FOR QUICK CORNER
MODEL NO. A37-1020 & A37-2020**

PATENTED

The Center Support requires a 2-7/8" (73mm) x 1-3/4" (44mm) notched opening. The illustrated information is provided to assure perfectly sized notched openings to receive the Center Shelf Support.

The Center Support Bracket was designed to accept a shelf with a 1-1/2" (38mm) return but will also accept longer returns. Dimensions marked with an asterisk (*) are constant and must be maintained regardless of return length.

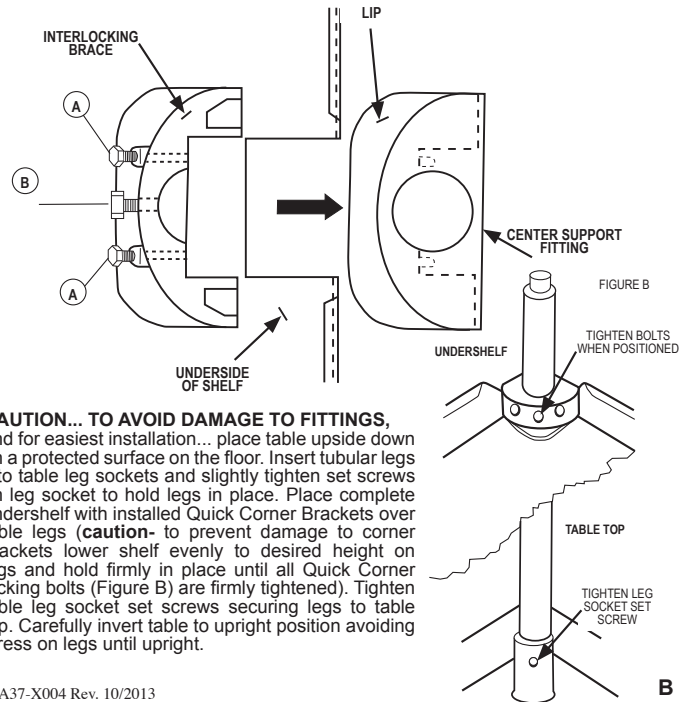


**ASSEMBLY INSTRUCTIONS
FOR QUICK CORNER
MODEL NO. A37-1020 & A37-2020**

PATENTED

Lay the shelf upside down (as illustrated) on a flat clean surface. Place the pre-notched opening over the lip of the Center Shelf Support Fitting and butt it firmly against the fitting... the shelf should mate perfectly.

Proceed to position the interlocking brace against the fitting and secure tightly by threading the two hex bolts (A) into the mating threaded holes of the Center Shelf Support Fitting. This process can be done quickly by using a nut driver. After both bolts are firmly secured repeat the assembly procedure on the opposite center shelf opening (if any).



CAUTION... TO AVOID DAMAGE TO FITTINGS, and for easiest installation... place table upside down on a protected surface on the floor. Insert tubular legs into table leg sockets and slightly tighten set screws on leg socket to hold legs in place. Place complete undershelf with installed Quick Corner Brackets over table legs (**caution-** to prevent damage to corner brackets lower shelf evenly to desired height on legs and hold firmly in place until all Quick Corner locking bolts (Figure B) are firmly tightened). Tighten table leg socket set screws securing legs to table top. Carefully invert table to upright position avoiding stress on legs until upright.

