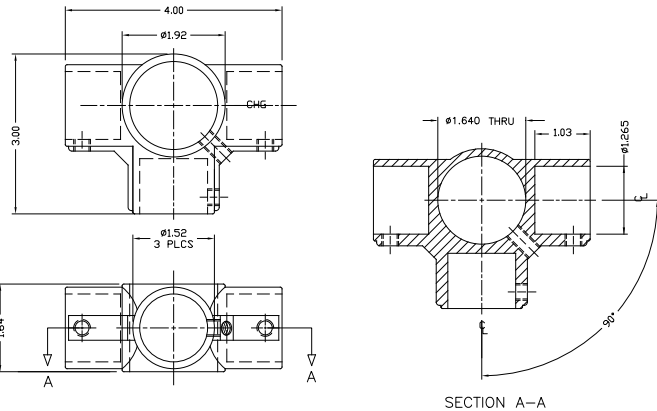


Component Hardware® Brushed Aluminum
 Center Cross Brace Fitting For 1-5/8" OD
 Legs

A35-1030



Dimensions shown in inches (mm) are for reference only and are subject to change.

Brushed Aluminum Center Cross Brace Fitting For 1-5/8" OD Legs

Heavy Duty Construction

- Center fitting is designed to mate 1-5/8" OD vertical tubing leg with three 1-1/4" horizontal cross-braces to eliminate table wobble
- Permits knock down shipping to reduce freight costs
- Eliminates need for notching, welding and polishing of fixed cross-braces
- Brushed die cast aluminum construction matches stainless steel legs
- Furnished with locking set screws for secure finished assembly

Specifications

Brushed aluminum center cross brace fitting to be Component Hardware A35-1030. Center fitting to be brushed die cast aluminum construction and furnished with locking set screws.