

Component Hardware® Brushed Aluminum  
 End Cross Brace Fitting For 1-5/8" OD Legs

# A35-1020



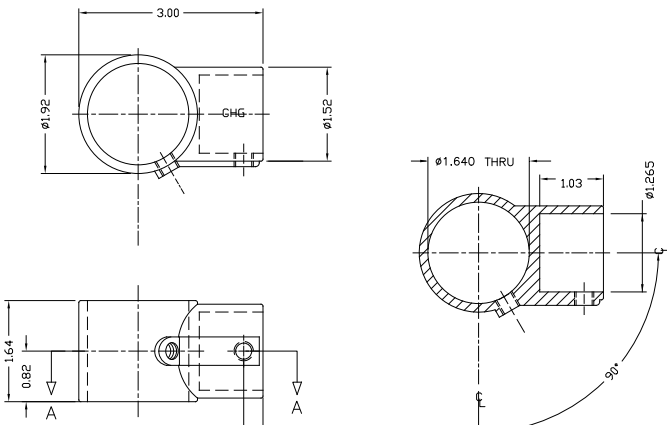
Brushed Aluminum End Cross Brace Fitting For 1-5/8" OD Legs

**Heavy Duty Construction**

- End fitting is designed to mate 1-5/8" OD vertical tubing leg with one 1-1/4" horizontal cross-brace to eliminate table wobble
- Permits knock down shipping to reduce freight costs
- Eliminates need for notching, welding and polishing of fixed cross-braces
- Brushed die cast aluminum construction matches stainless steel legs
- Furnished with locking set screws for secure finished assembly

**Specifications**

Brushed aluminum end cross brace fitting to be Component Hardware A35-1020. End fitting to be brushed die cast aluminum construction and furnished with locking set screws.



Dimensions shown in inches (mm) are for reference only and are subject to change.

