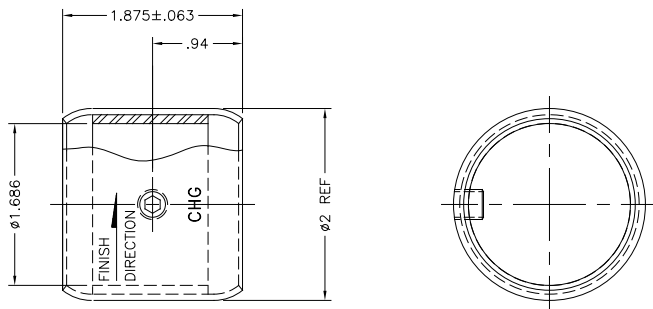


Component Hardware® 1-5/8" x 1-7/8" H
 Stainless Steel Tubular Shelf Support

A24-0206-C



1-5/8" x 1-7/8" H Stainless Steel Tubular Shelf Support

Heavy Duty Construction

- 2" OD 16-gauge stainless steel construction
- 1-7/8" OA height
- Satin finish
- Accepts 1-5/8" OD tubing
- Provided with locking set screw to assure secure assembly
- Can be used as adjustable pot rack band support or corner support for shelving
- Permits knock down shipping of equipment to reduce freight costs

Specifications

Stainless steel tubular shelf support to be Component Hardware A24-0206-C. Shelf support to be 1-7/8" high.

Dimensions shown in inches (mm) are for reference only and are subject to change.