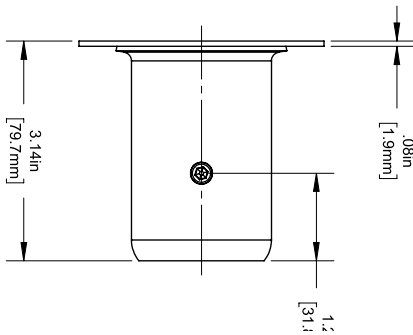
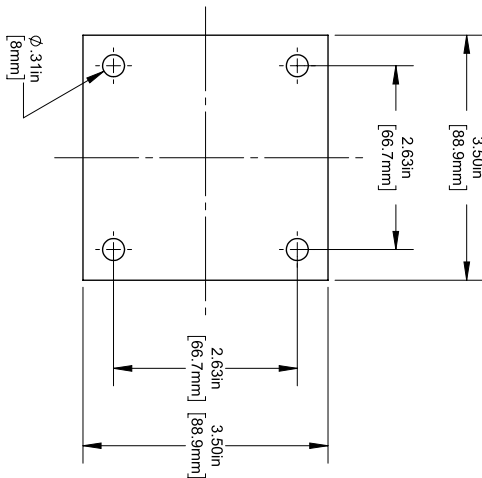


Component Hardware® 1-5/8" x 3-1/8" H
 Stainless Steel Leg Socket With 3-1/2" x
 3-1/2" Welded Mounting Plate

A18-0406-C



Dimensions shown in inches (mm) are for reference only and are subject to change.

1-5/8" x 3-1/8" H Stainless Steel Leg Socket With 3-1/2" x 3-1/2" Welded Mounting Plate

Heavy Duty Construction

- 2" OD 16-gauge stainless steel construction
- Satin finish
- Accepts 1-5/8" OD tubing legs
- 3-1/8" OA height
- Provided with locking set screw to assure secure assembly
- Furnished with welded 3-1/2" square mounting plate with four 5/16" diameter mounting holes on 2-5/8" centers
- Permits knock down shipping of equipment to reduce freight costs

Specifications

Stainless steel leg socket with 3-1/2" x 3-1/2" welded mounting plate to be Component Hardware A18-0406-C. Socket to be 3-1/8" high and welded mounting plate.