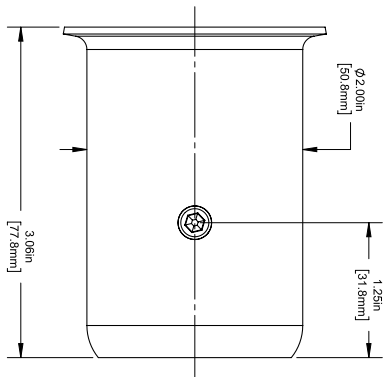
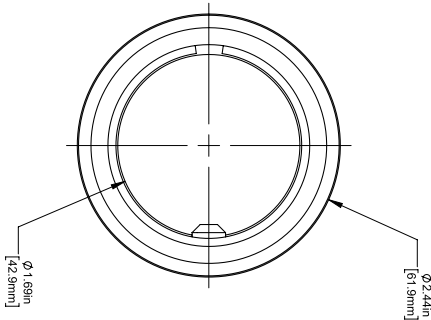


Component Hardware® 1-5/8" x 3-1/4" H
 Stainless Steel Leg Socket With Flanged Top

A18-0206-C



Dimensions shown in inches (mm) are for reference only and are subject to change.

1-5/8" x 3-1/4" H Stainless Steel Leg Socket With Flanged Top

Heavy Duty Construction

- 2" OD 16-gauge stainless steel construction
- Satin finish
- Accepts 1-5/8" OD tubing legs
- 3-1/16" OA height
- Provided with locking set screw to assure secure assembly
- Flared top for easy welding
- Permits knock down shipping of equipment to reduce freight costs

Specifications

Stainless steel leg socket with flanged top to be Component Hardware A18-0206-C. Socket to be 3-1/16" high and flared top for easy welding.