



PROJECT NAME: \_\_\_\_\_

LOCATION: \_\_\_\_\_

SPECIFIER ITEM NO. \_\_\_\_\_ QTY: \_\_\_\_\_

COMPONENT HARDWARE PART NO. \_\_\_\_\_

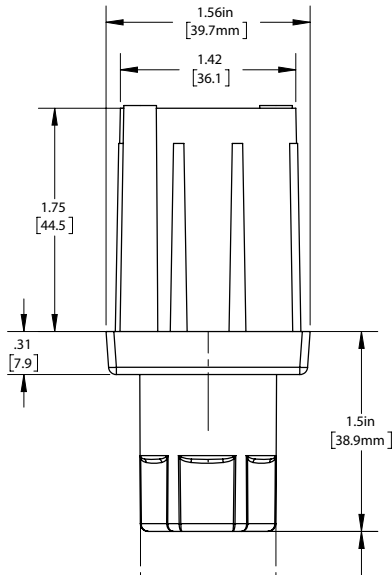
## Component Hardware® Equipment Leg A14-0651-C



Equipment leg

### Heavy Duty Construction

- 2000 lbs (900 kg) static load rating
- Adjustable 1-1/8" (28mm)



Dimensions shown in inches (mm) are for reference only and are subject to change.