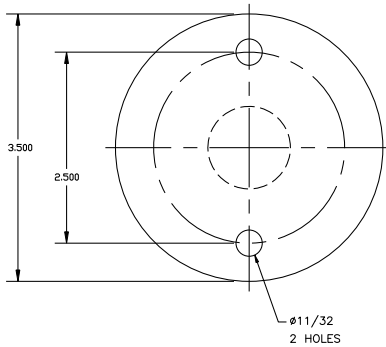
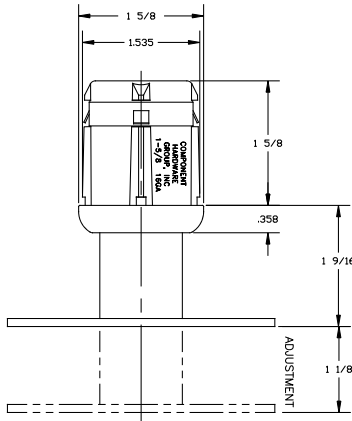


Component Hardware® 1-5/8" Round  
 Stainless Steel Clad Zinc Die Cast Adjustable  
 Flanged Foot Insert With Mounting Holes

# A10-0854-C



Dimensions shown in inches (mm) are for reference only and are subject to change.

1-5/8" Round Stainless Steel Clad Zinc Die Cast Adjustable Flanged Foot Insert With Mounting Holes

**Heavy Duty Construction**

- For use with 1-5/8" OD 16-gauge round tubing
- Stainless steel clad zinc die cast construction
- 1-1/2" height in fully closed position
- Adjustable toe permits leveling of equipment up to 1-1/8"
- 3-1/2" OD 12-gauge stainless steel flanged toe with two 11/32" mounting holes spaced 2-1/2" OC permits secure fastening to the floor
- Furnished with Posi-Grip locking ring for additional grip to secure foot insert in tubing
- 2,000 lbs static load capacity

**Specifications**

Stainless steel clad zinc die cast adjustable flanged foot insert with mounting holes to be Component Hardware A10-0854-C. Insert to be 1-1/2" high and adjustable to 1-1/8" for leveling on job site.

