



PROJECT NAME: _____

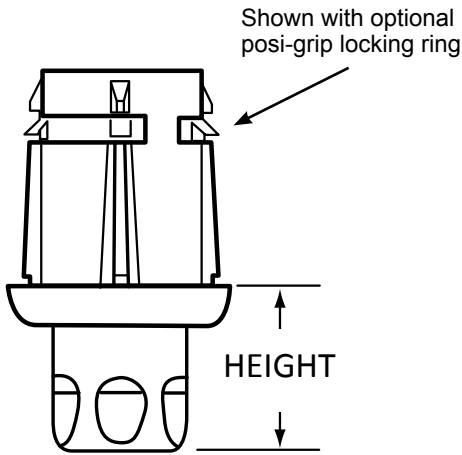
LOCATION: _____

SPECIFIER ITEM NO. _____ QTY: _____

COMPONENT HARDWARE PART NO. _____

Component Hardware® Stainless Steel Clad Adjustable Foot Insert

A10-0651-C



Dimensions shown in inches (mm) are for
reference only and are subject to change.

Stainless steel clad adjustable foot insert

Heavy Duty Construction

- Hex adjustable toe
- Fits 1-1/2" (38mm) O.D. tubing; 16 ga. (1.5mm) or 1-1/4" I.P.S. pipe
- Static load rating to 2000 lbs. (900kg)
- 1-1/4" adjustment
- Wrench flats for easy adjustment after installation

Specifications

Stainless steel clad adjustable foot insert with hex toe to be Component Hardware A10-0651-C. Insert to be 1-1/2" (38mm) high and adjustable to 1-1/4" (32mm) for leveling on job site.

Note: Optional posi-grip locking ring order as model no. A10-0010-C

