

ECONOMICAL LOW PROFILE COOLER/FREEZER LIGHT FIXTURES

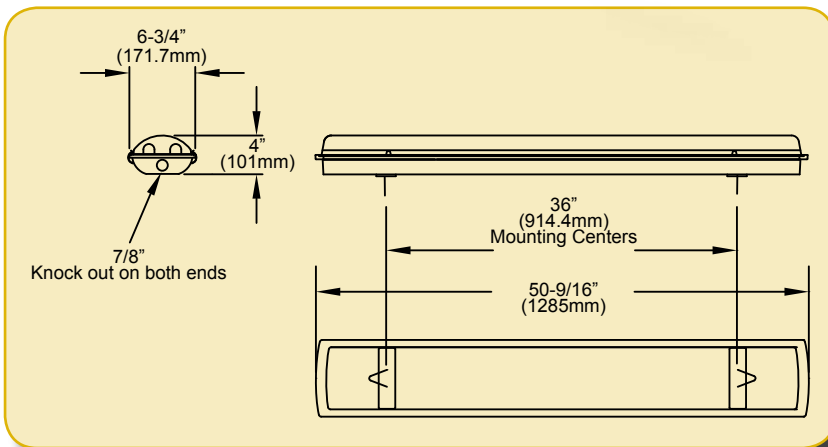


- Energy efficient high power factor T-5 HO and T-8 electronic ballasts reduce operating costs and power consumption
- Light fixtures generate less heat, reducing the cost to maintain low operating temperatures
- Universal ballasts operate at -20°F (30°C) for freezer applications
- Resilient, one piece silicone gasket rated IP-65 for damp and wet locations
- Superior highly-polished German aluminod reflector improves light output
- Corrosion free high impact polycarbonate housing
- Clear, high impact polycarbonate lens
- Supplied with NEC approved luminaire disconnects
- Provided with stainless steel mounting hardware and European Type PG-16 conduit connector



**Model No.
CFL-36U54X2T5**

**Model No.
CFL-48U32X2T8**



MODEL NO.	SIZE	LAMPS	VOLTAGE
CFL-48U32X2T8	48"Housing	(2EA.)F32T8	UNV= 120-277V, 50-60 Hz
CFL-36U54X2T5	48"Housing	(2EA.)F54T5HO	
LAMPS NOT PROVIDED			